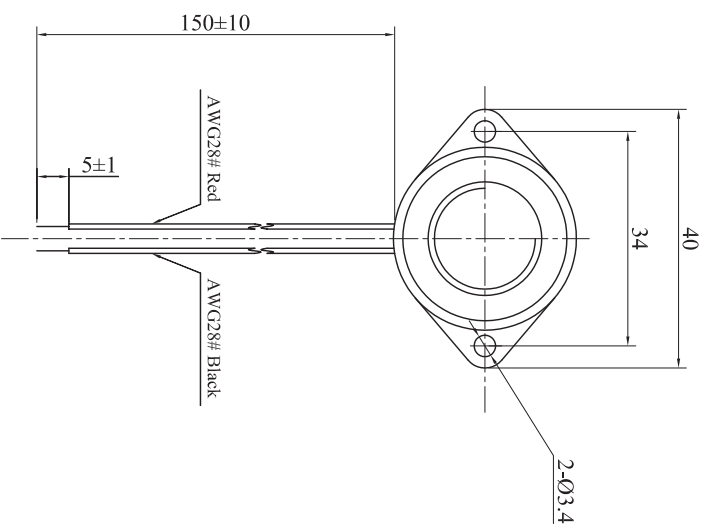
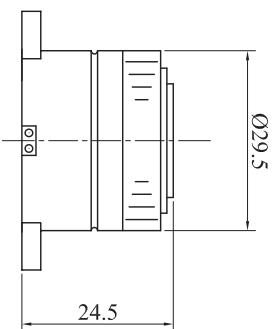


SPECIFICATION

- 1. Rated Voltage 12 VDC
- 2. Operating Voltage 3~24 VDC
- 3. Max. Rated Current 15mA/12VDC
- 4. Resonant Frequency 3.7±0.5KHz
- 5. Min. Sound Pressure Level..... 90dB/12VDC/30cm
- 6. Tone Nature..... Continuous
- 7. Shell Material/Color ABS/Black
- 8. Operating Temperature -20 ~ +60 °C
- 9. Store Temperature -30 ~ +70 °C
- 10. Weight 15g



Piezo Buzzer		Piezo Buzzer	
BPC 2910		BPC 2910	
No.	DESCRIPTION	APPROVED	DATE
FOR ENGLISH, INGLISH	SOFTED OTHER WISE	APPROVALS	DATE
XXX	XXX	DRAWN	
XXX	XXX	CHECKED	
FIRST ANGLE PROJECTION		APPROVED	03.04.12
		SCALE	UNIT
NOT TO SCALE		mm	DWG NO.
NOT TO SCALE		SHRIT	BPC 2910
NOT TO SCALE		VER	1.0